

Fig. 1

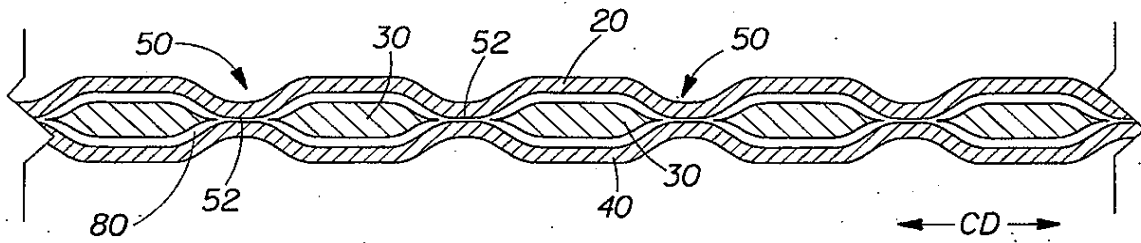


Fig. 2

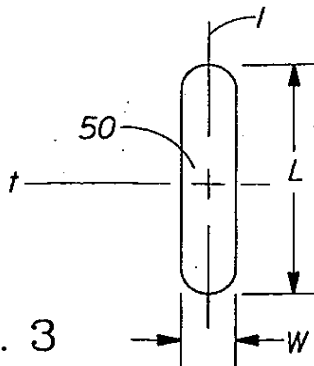


Fig. 3

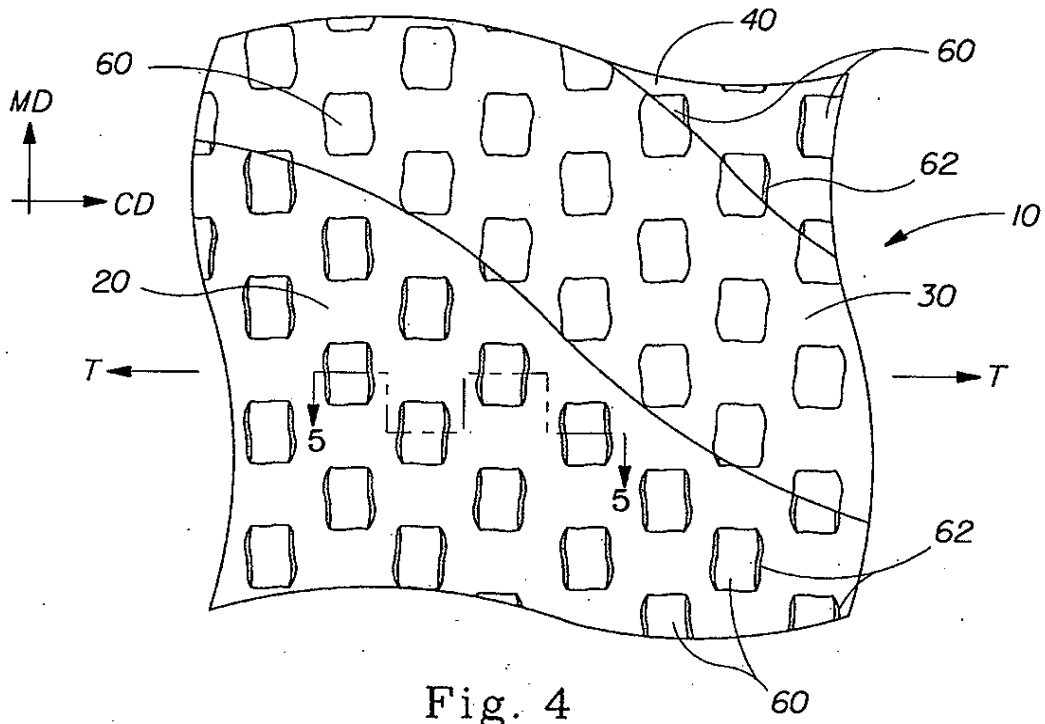
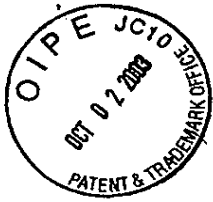


Fig. 4

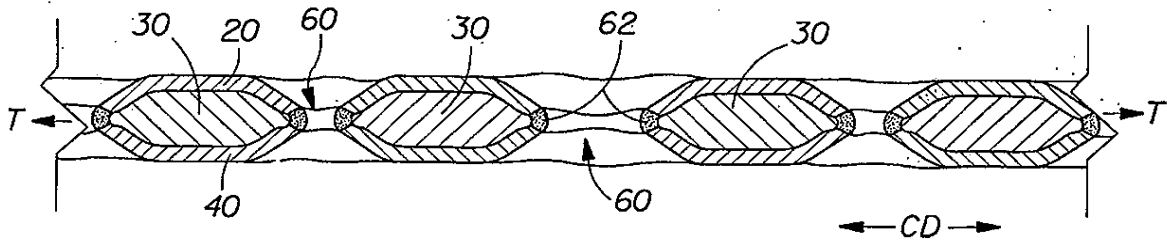


Fig. 5

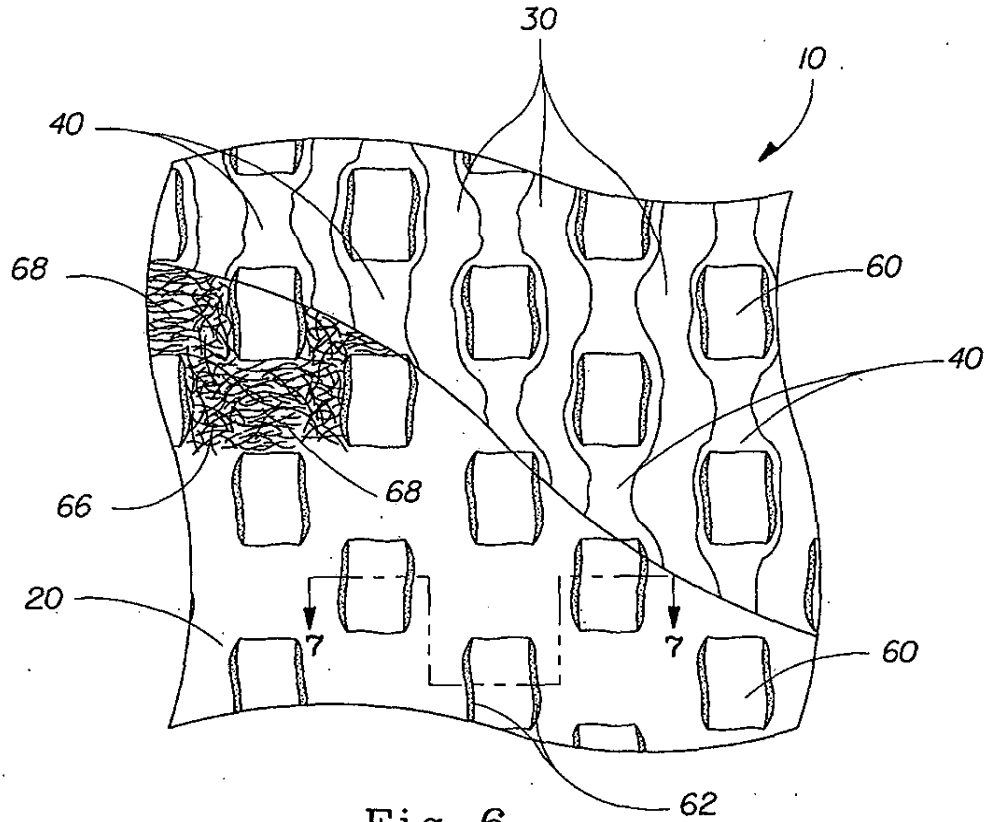
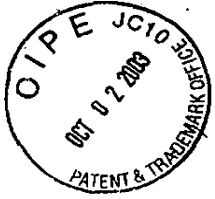


Fig. 6

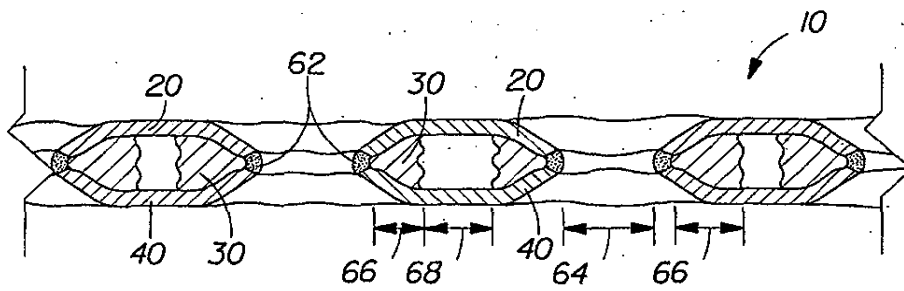
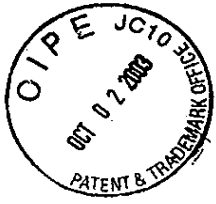


Fig. 7



Appl. No. 09/886,740
Amdt. Dated 9/29/2003
Reply to Office Action of March 31, 2003
Replacement Sheet

4/12

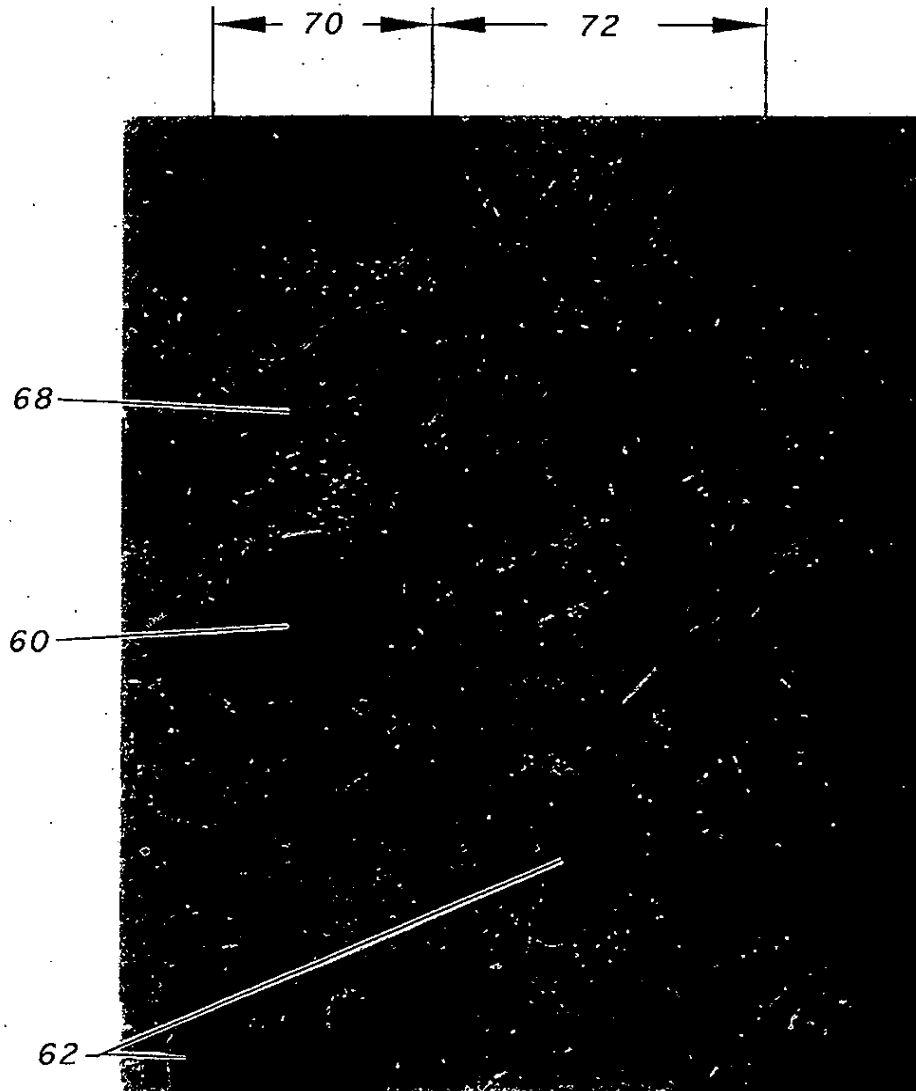


Fig. 8

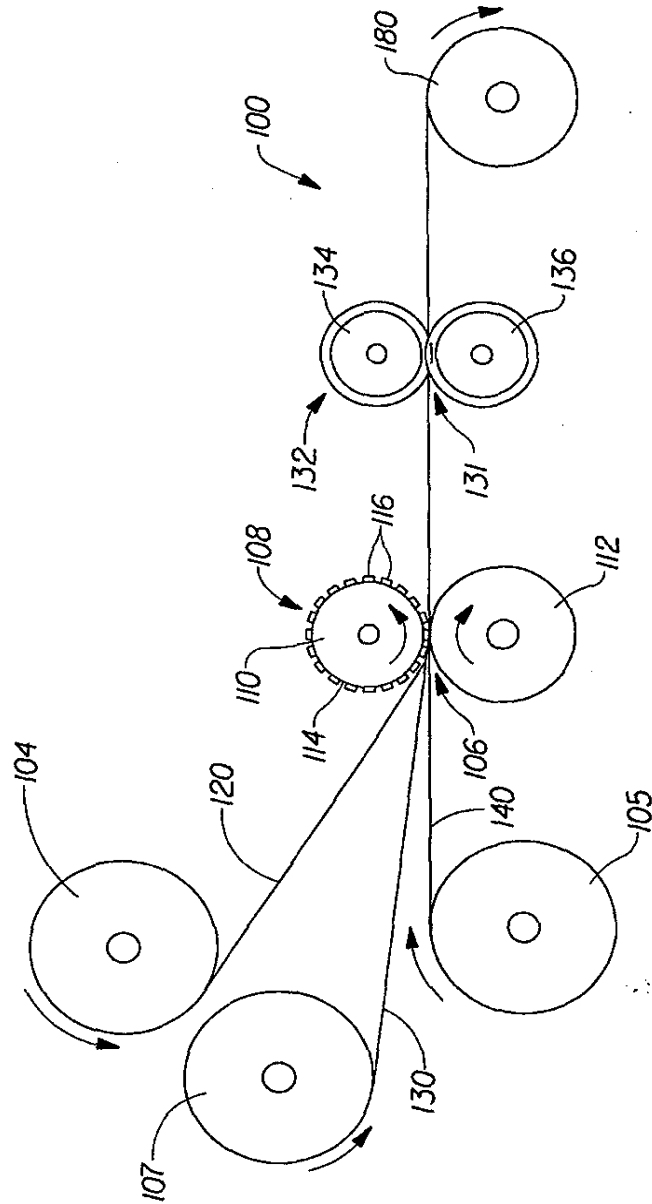
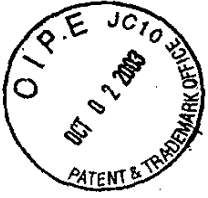


Fig. 9



Appl. No. 09/886,740
Amdt. Dated 9/29/2003
Reply to Office Action of March 31, 2003
Replacement Sheet

6/12

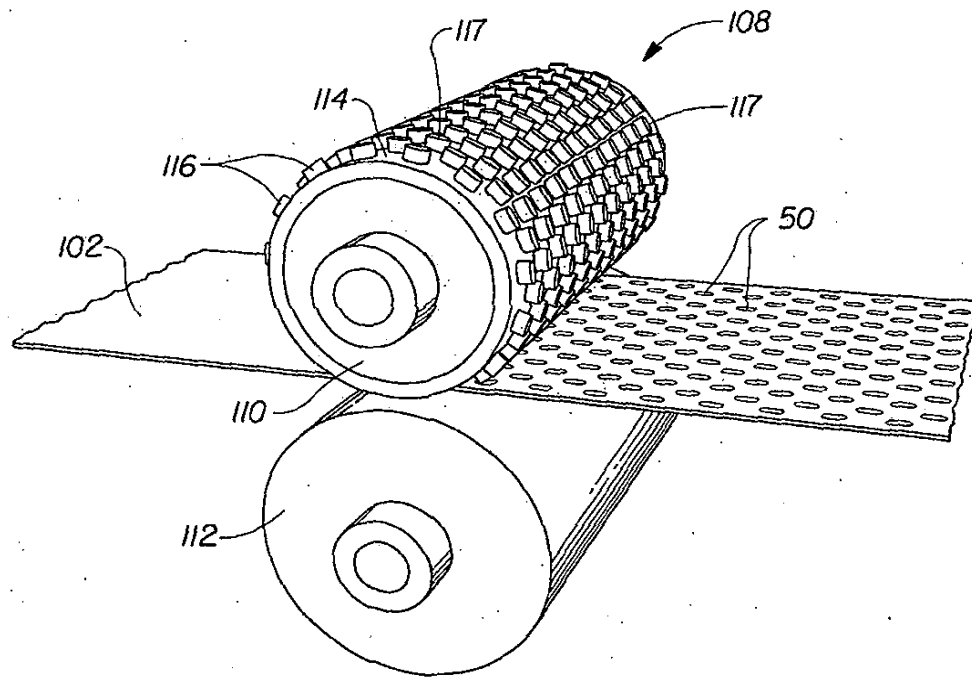


Fig. 10



Appl. No. 09/886,740
Amdt. Dated 9/29/2003
Reply to Office Action of March 31, 2003
Replacement Sheet

7/12

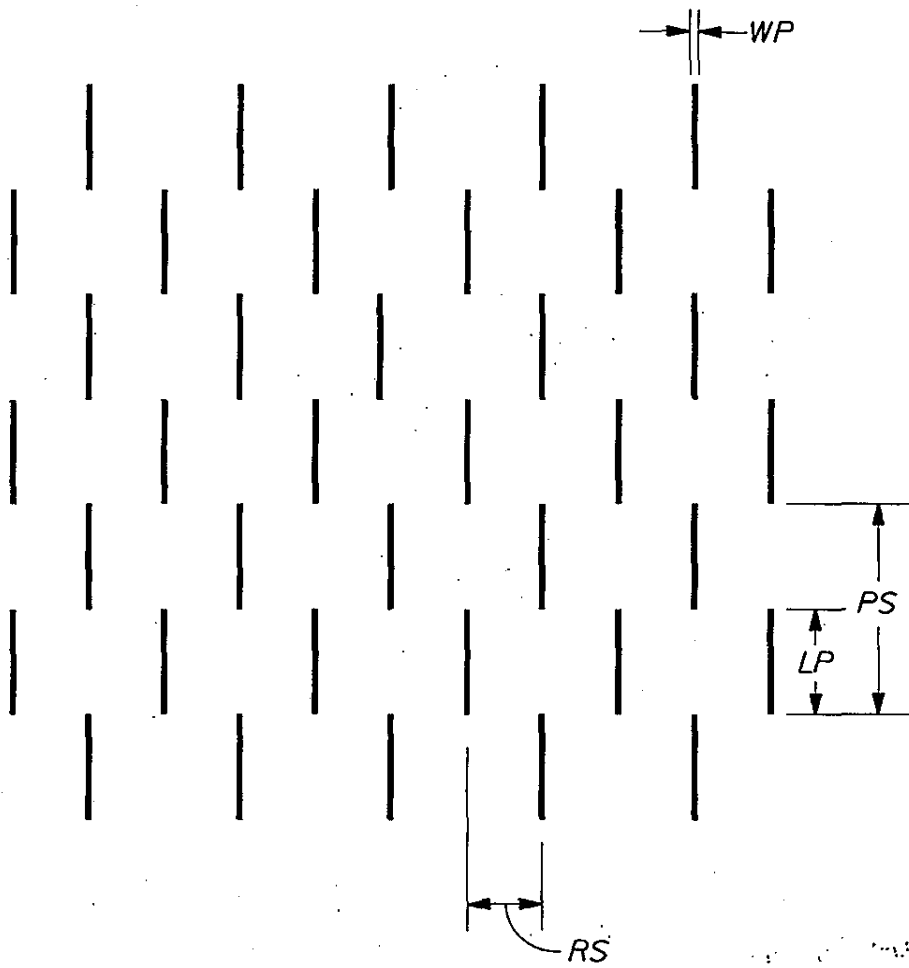


Fig. 11

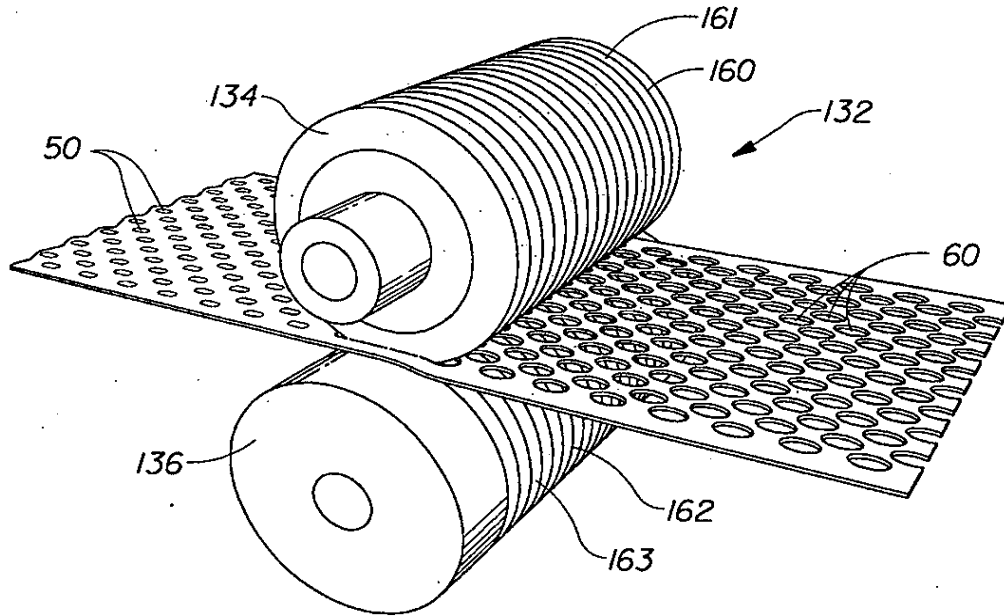
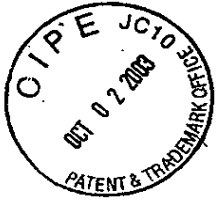


Fig. 12

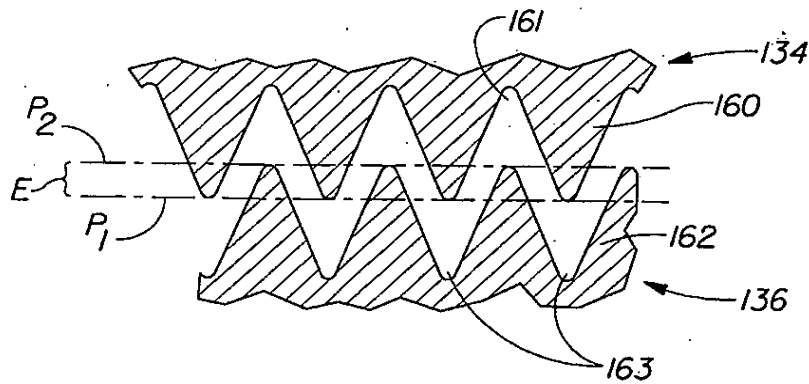


Fig. 13



Appl. No. 09/886,740
Amdt. Dated 9/29/2003
Reply to Office Action of March 31, 2003
Replacement Sheet

9/12

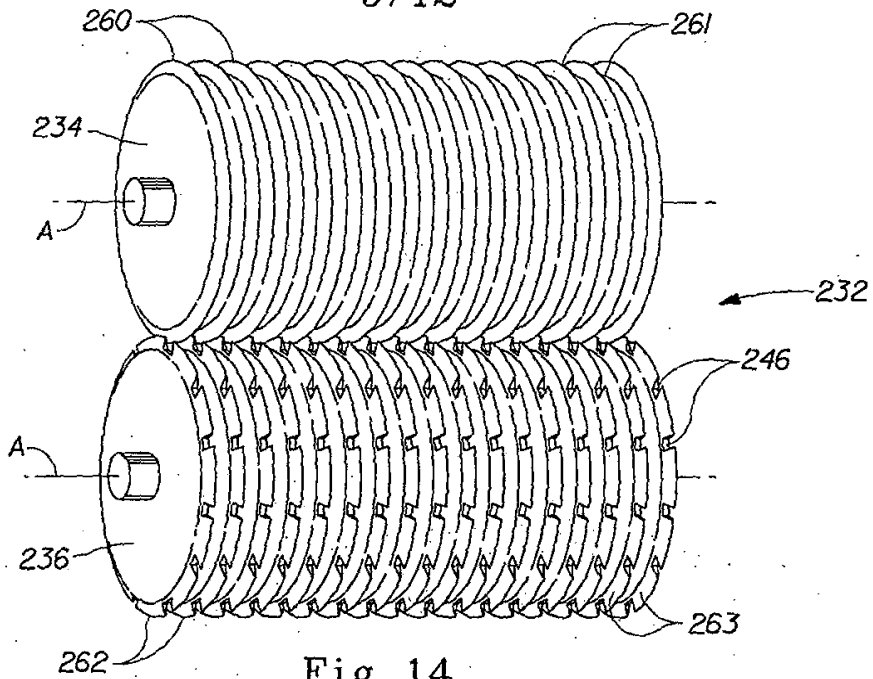


Fig. 14

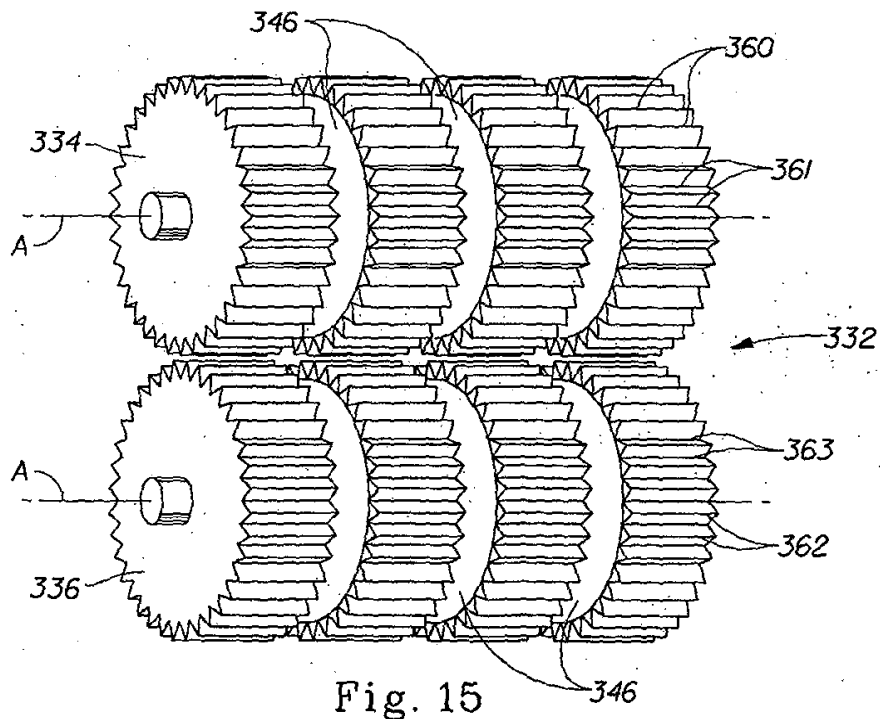
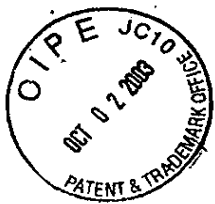
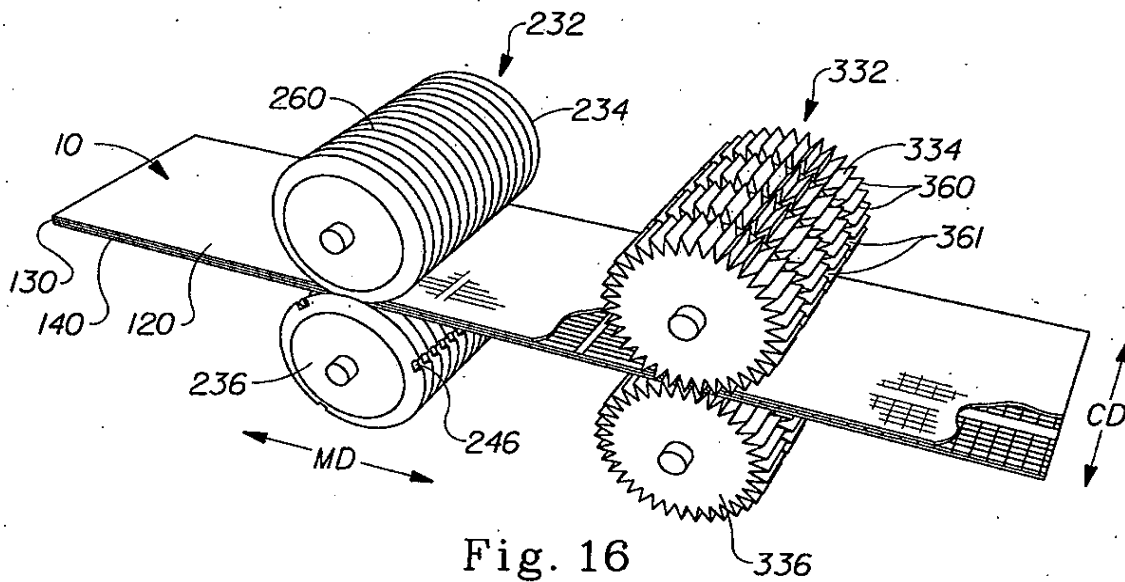


Fig. 15



Appl. No. 09/886,740
Amdt. Dated 9/29/2003
Reply to Office Action of March 31, 2003
Replacement Sheet

10/12





Appl. No. 09/886,740
Amdt. Dated 9/29/2003
Reply to Office Action of March 31, 2003
Replacement Sheet

11/12



Fig. 17A



Appl. No. 09/886,740
Amtd. Dated 9/29/2003
Reply to Office Action of March 31, 2003
Replacement Sheet

12/12

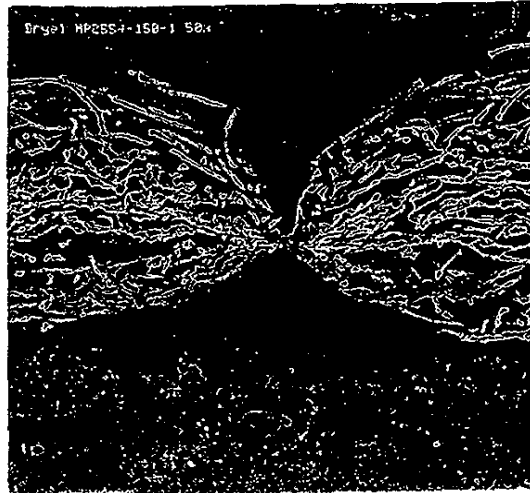


Fig. 17B